

Steel Road Plate



The Underground Safety Equipment Experts
Rental · Sales · Service

Tel: 416-460-5007

Office: 905-417-7717

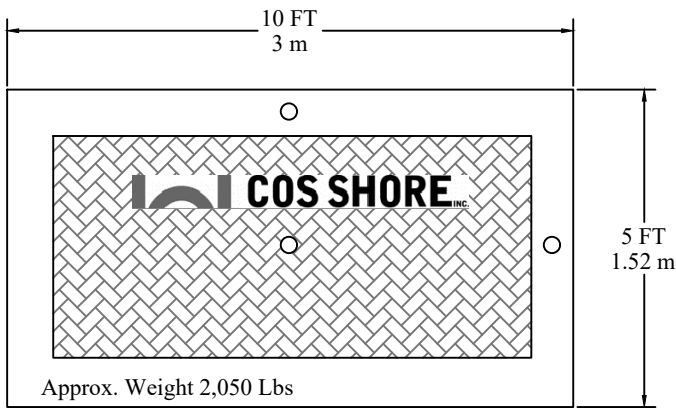
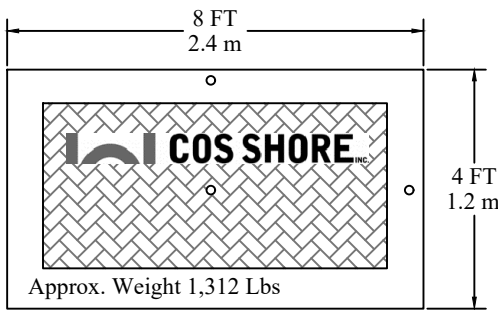
Toll Free: 1-800-267-0611

website: www.cosshore.com

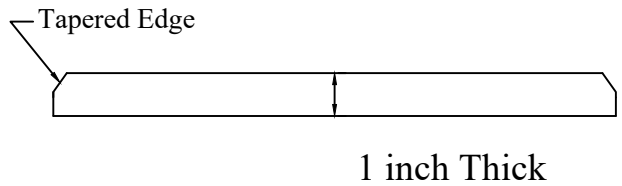
Email: Cosshoremaple@gmail.com

211 Rodinea Road, Maple, ON L6A 4P5

TOP VIEW:



SIDE VIEW



FEATURES:

- 1) TWO 2" DIAMETER LIFTING HOLES
- 2) WELD - IN - NUT
- 3) TAPERED EDGE
- 4) CHECKER PLATE WELDED TO BASE PLATE
- 5) PAINTED SAFETY YELLOW OR ORANGE



(Spinner) Lifting Tool



(Silver) Lifting Tool